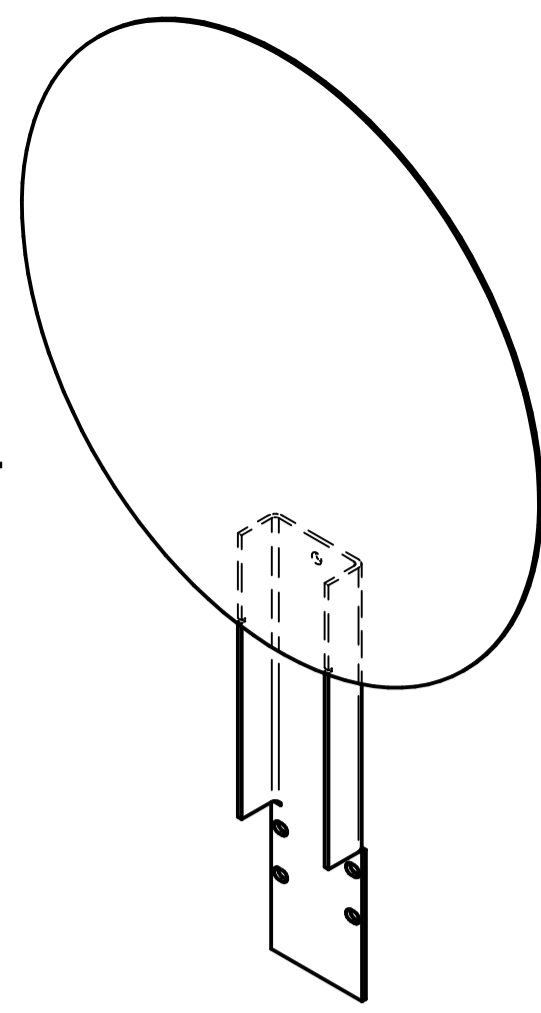
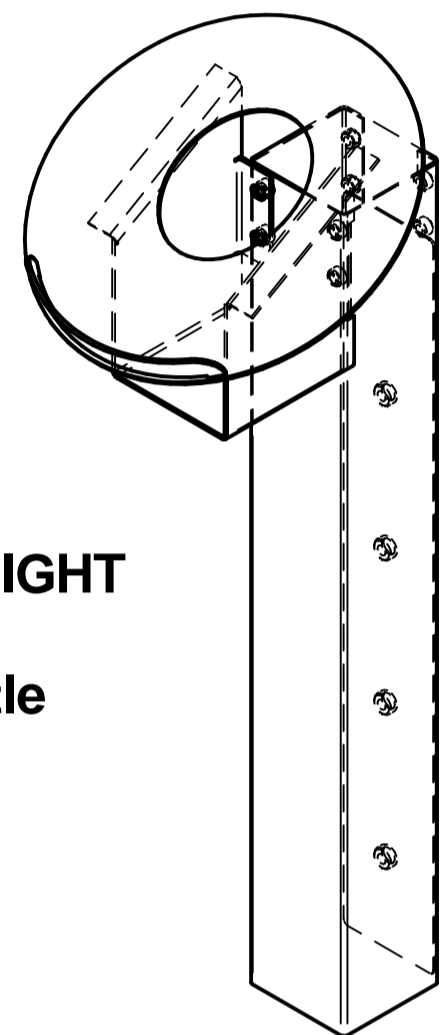


KIDS SANITISER STATION DISPLAY ASSEMBLY INSTRUCTIONS

TOP HEADER PANEL ASSEMBLY

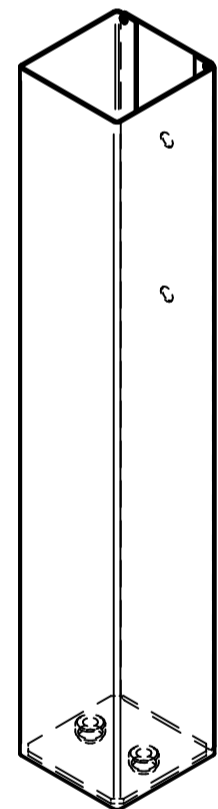


UPPER INNER ADJUSTABLE UPRIGHT POST ASSEMBLY (incl. Sanitiser Bottle Tray Assembly)



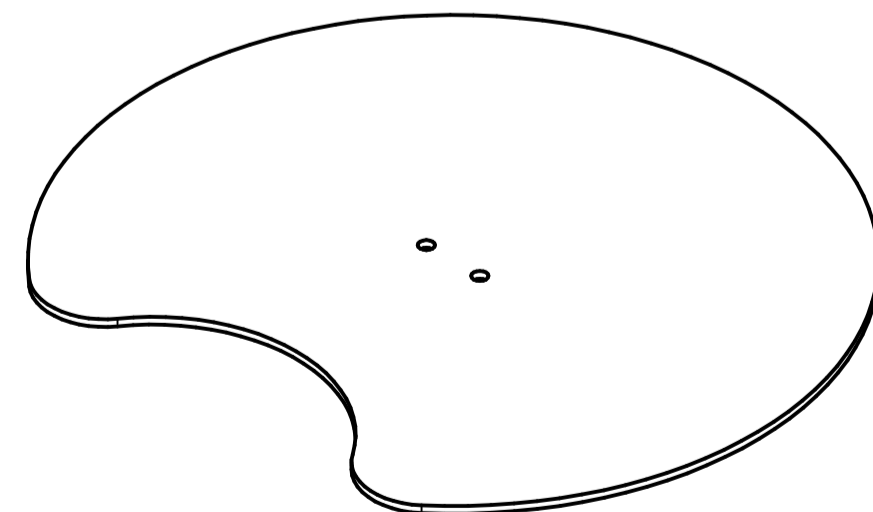
(4 x M6 SCREWS + WASHERS)

LOWER OUTER UPRIGHT POST ASSEMBLY



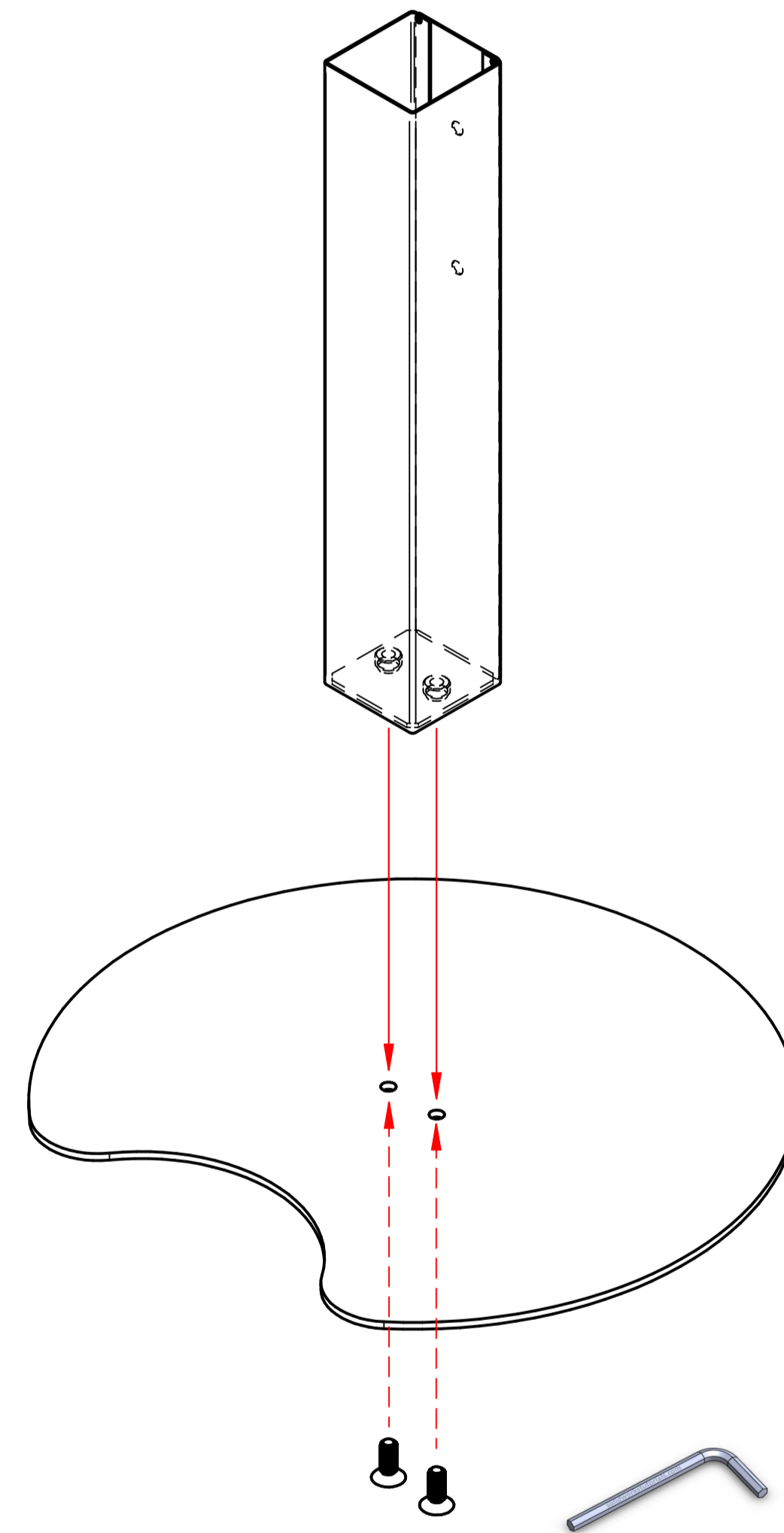
2 x M6 LOBED HAND SCREW KNOBS

CIRCULAR BASE

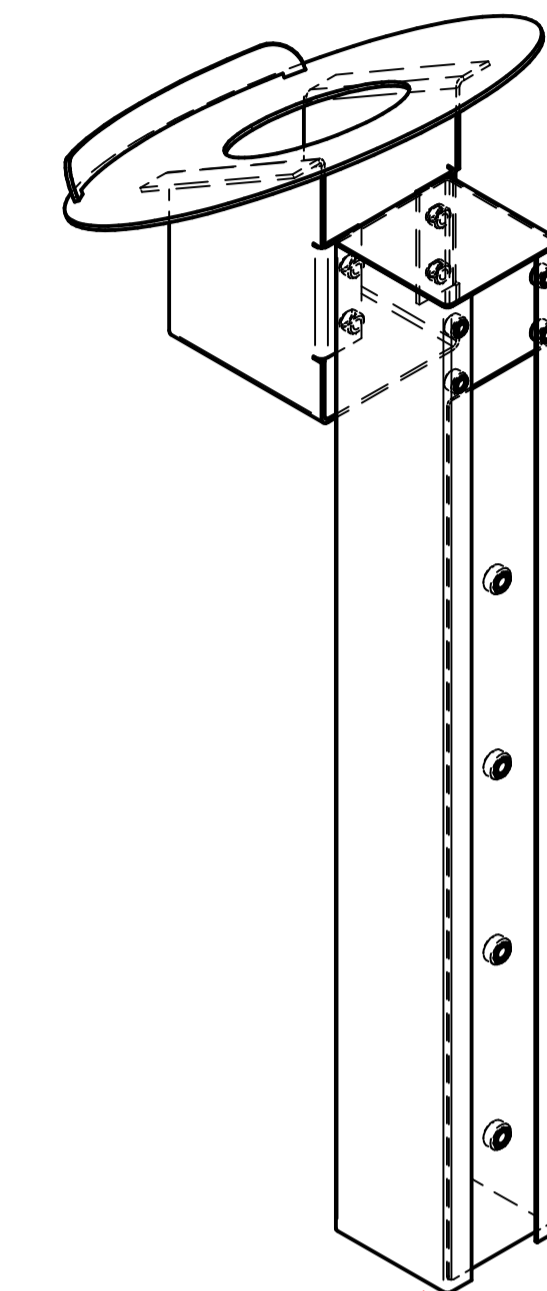


(2 x M8 SCREWS)

KIT SUPPLIED INCLUDES THE ABOVE 4 PRE-ASSEMBLED COMPONENTS WITH 4 x M6 SCREWS (incl. washers)
 2 x M8 SCREWS
 2 x LOBED HAND SCREW KNOBS (M6 THREADED STUD)
 2 x ALLEN KEYS



STEP 1:
 CAREFULLY LOWER THE OUTER UPRIGHT POST ONTO TOP OF BASE BY ALIGNING/LOCATING THE CORRESPONDING 2 HOLES OF EACH COMPONENT. ONCE THE POST IS CORRECTLY LOCATED IN POSITION, INSERT THE 2 x M8 SCREWS PROVIDED & SECURE TIGHTLY FROM UNDER THE BASE.



UPPER INNER ADJUSTABLE UPRIGHT POST ASSEMBLY (incl. Sanitiser Bottle Tray Assembly)

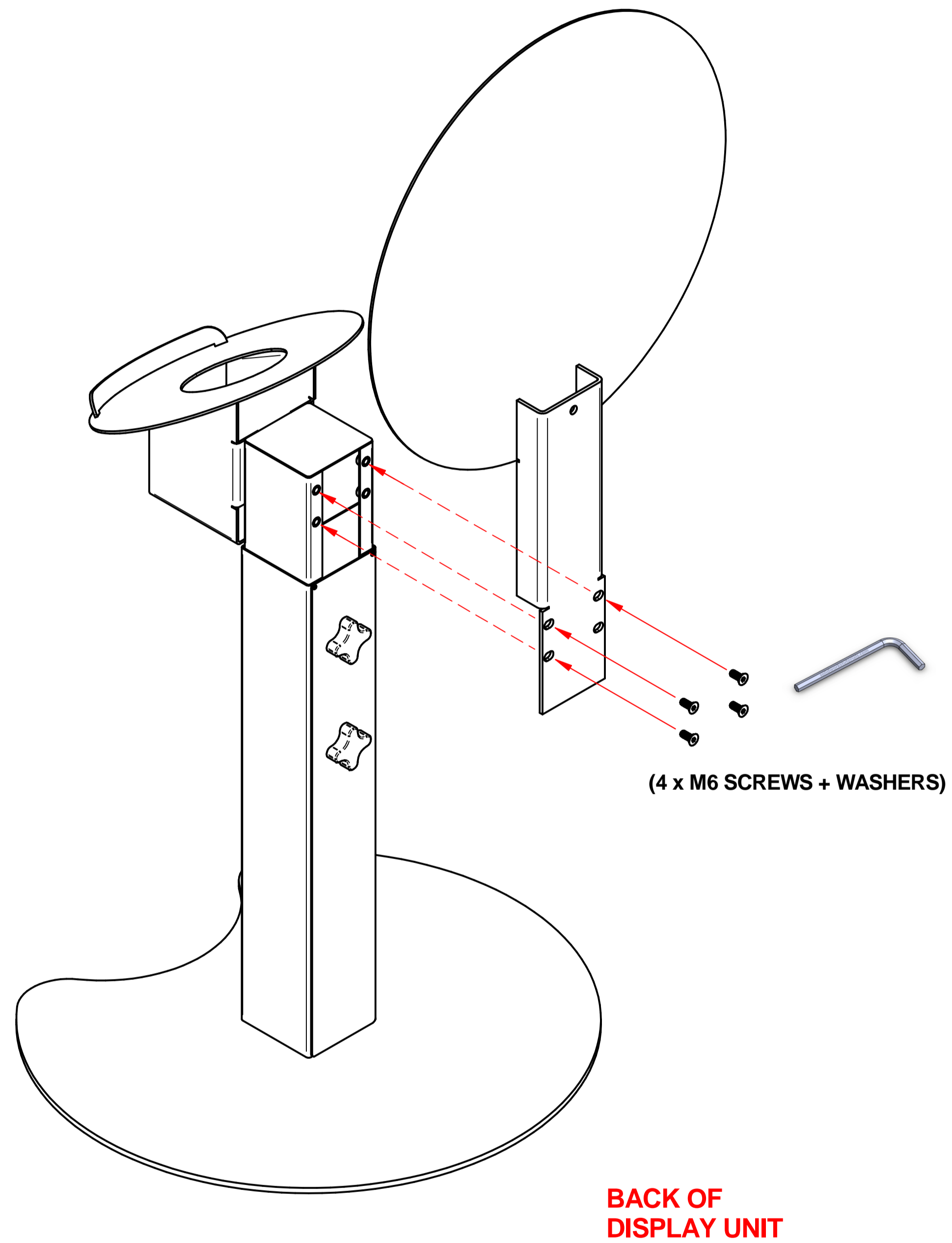
LOBED HAND SCREW KNOBS

BACK OF DISPLAY UNIT

STEP 2:
 CAREFULLY SLIDE DOWN THE UPPER INNER ADJUSTABLE POST ASSEMBLY INTO LOWER OPENING OF THE OUTER UPRIGHT POST, TO SUIT YOUR DESIRED ADJUSTABLE HEIGHT. ONCE IN POSITION, ALIGN 2 REAR FIXING POINTS, THEN LOCK/SECURE BY USING BOTH LOBED HAND SCREW KNOBS.

KIDS SANITISER STATION DISPLAY ASSEMBLY INSTRUCTIONS

TOP HEADER PANEL ASSEMBLY



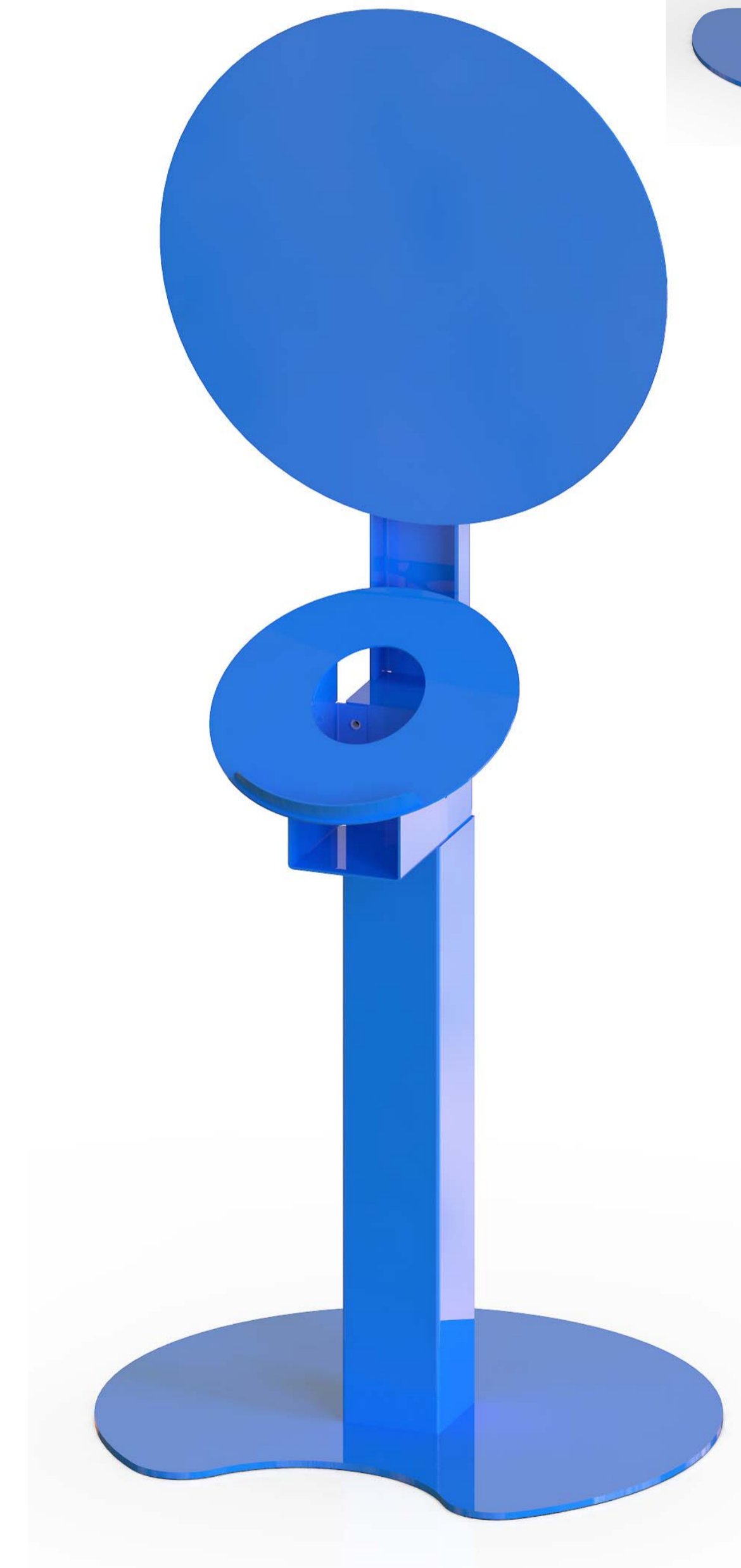
STEP 3:
CAREFULLY LOCATE THE TOP HEADER PANEL ASSEMBLY TO BACK FACE OF UPPER INNER POST USING THE 4 REAR CORRESPONDING HOLES. ONCE THE TOP HEADER PANEL ASSEMBLY IS CORRECTLY LOCATED IN POSITION, INSERT THE 4 x M6 SCREWS + WASHERS PROVIDED & SECURE TIGHTLY FROM THE BACK. (4 FIXING POINTS AT REAR)

UNITS SECURITY/SAFETY CHAIN KIT



VERY IMPORTANT

FINAL STEP:
ONCE THE DISPLAY IS FULLY ASSEMBLED, IT REQUIRES TO BE SECURED TO AN EXISTING BACK WALL BY THE USE OF THE SECURITY/SAFETY CHAIN KIT PROVIDED.



FINISHED DISPLAY UNIT

