

Curved Workstation

PK160



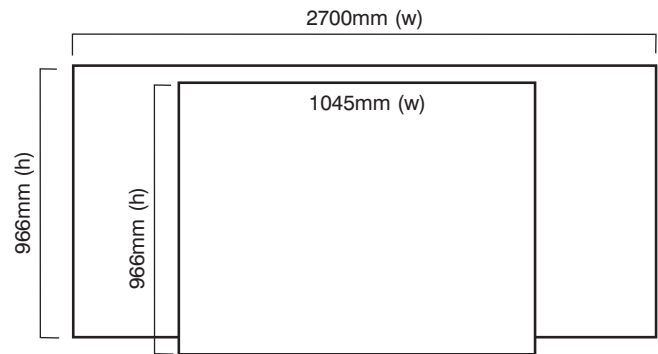
Stylish and practical, the Curved Workstation physique unit is an ideal workstation for all exhibitions and displays.

features & benefits

- Flat pack furniture constructed from composite materials and flexible MDF tambour
- Easy to transport and quick to assemble
- No tools required
- Internal storage area
- Load bearing up to 75kgs approx



Curved Workstation with panel



full wrap dimensions approx.

hardware specifications

Hardware Dimensions (mm):
1000 (h) x 985 (w) x 585 (d) approx

Fabric Panel Dimensions (mm):
966 (h) x 750 (w) approx

Optional Rear Panel Dimensions (mm):
966 (h) x 635 (w) approx

Weight: 17kg approx

Carry bag/case Dimensions (mm):
AB115 Carry bag or AC312 Carry case

wrap specifications

Full Wrap Dimensions (mm):
966 (h) x 2700 (w) and
966 (h) x 1045 (w) mm approx

Column Wrap Dimensions (mm):
966 (h) x 1115 (w) and

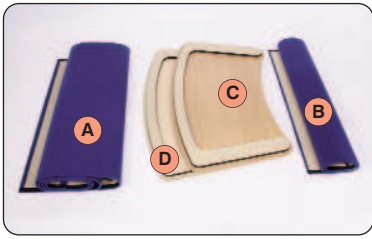
If applying a graphic to the wrap, an allowance should be made to its size to accommodate material type, thickness etc.

additional info

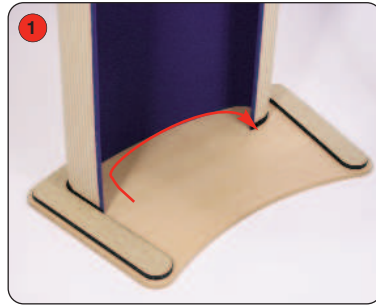
Optional accessories:
Carry bags or cases, 50w LV Jack socket lighting, Internal shelving, lockable door, aperture cutouts.

We are continually improving and modifying our product range and reserve the right to vary the specifications without prior notice. All dimensions and weights quoted are approximate and we accept no responsibility for variance. E&OE.

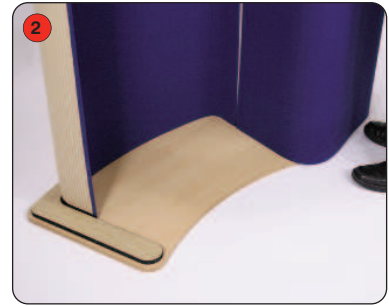
Assembly Instructions



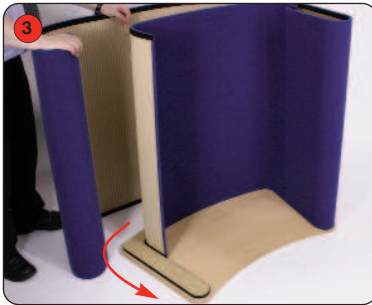
Kit includes: Outer wrap (A), inner wrap (B), top (C) and base (D)



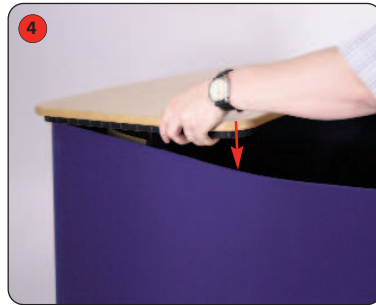
1 Place the base (D) on the floor with the raised shape face up, and wrap the inner wrap (B) on the inside of the shape.



2 Take the outer wrap (A) and begin to wrap around the remaining section of the raised shape



3 Ensure that the fit is secure against the hook fastener strip. Leave the front open to add the top.



4 Slot the top in between the two wraps.



5 You may need to loosen the wraps from the base to fit onto the top and then secure on to base again.



6 Once the 'C' shape on the underside of the top is wedged securely between the two wraps, carry on wrapping around the base.



7 Ensure that the

