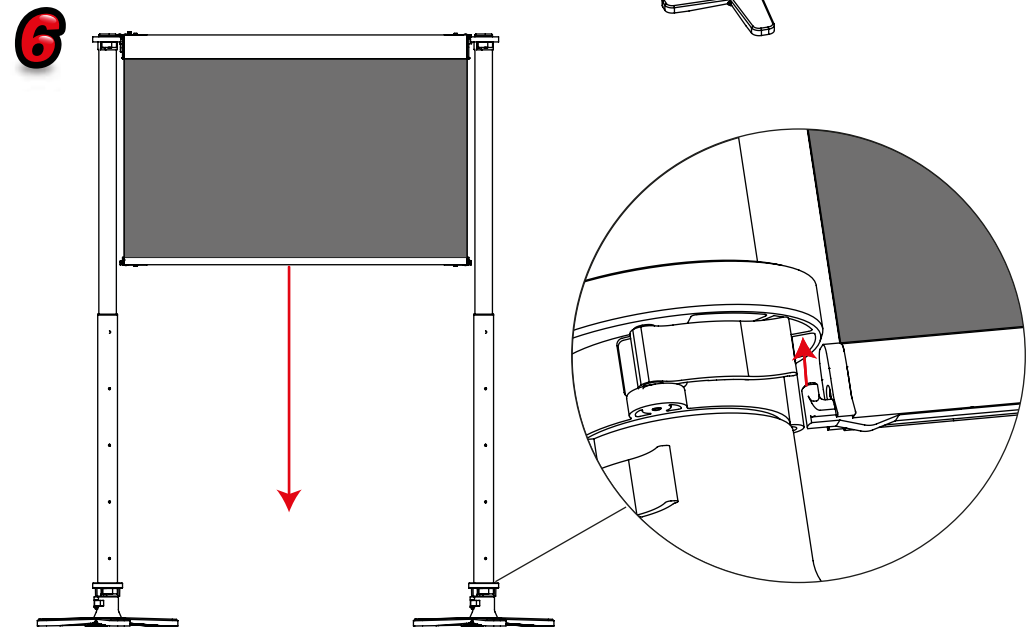
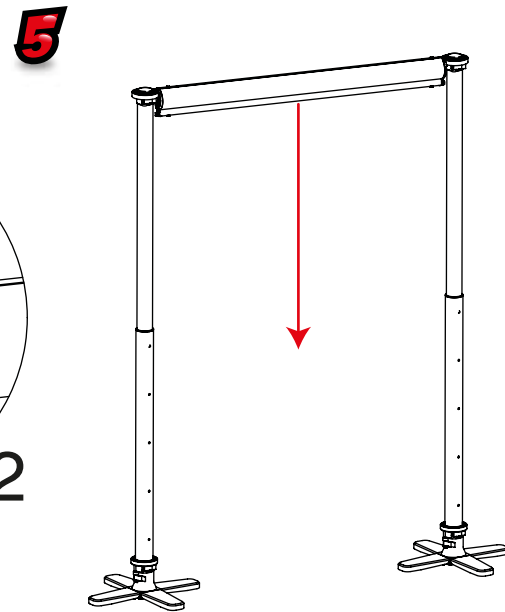
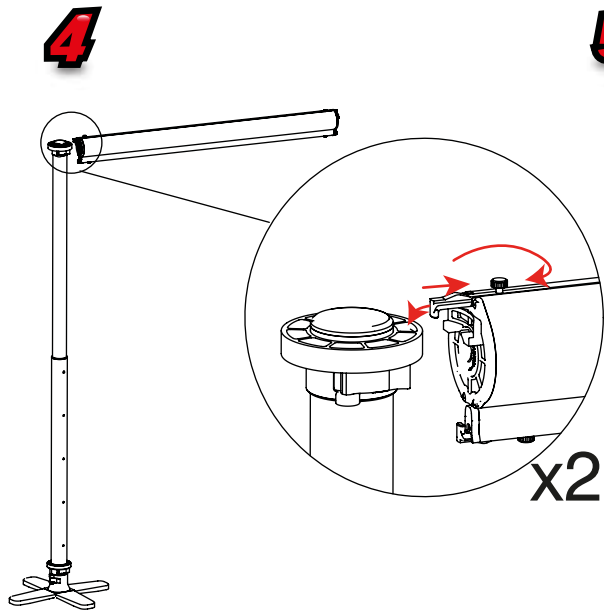
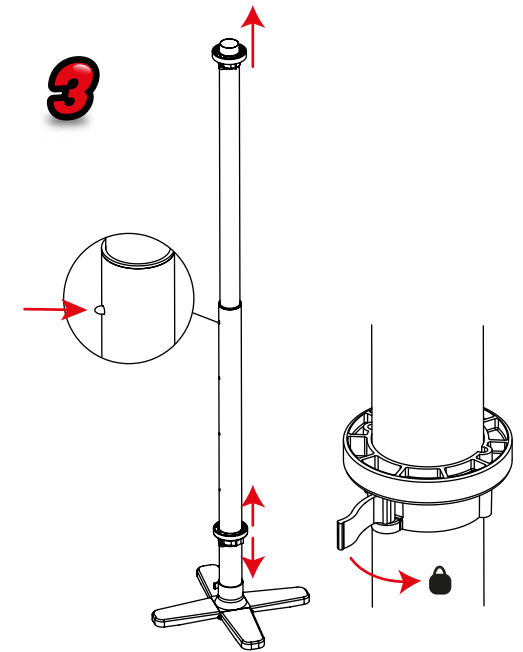
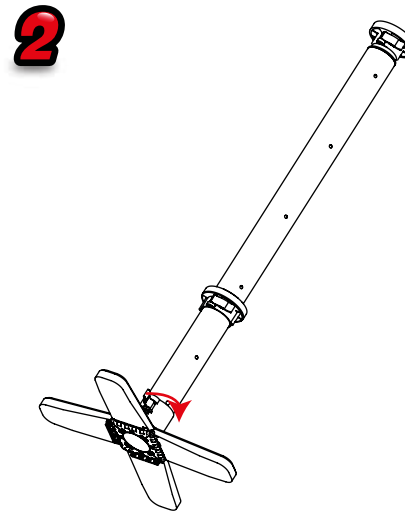
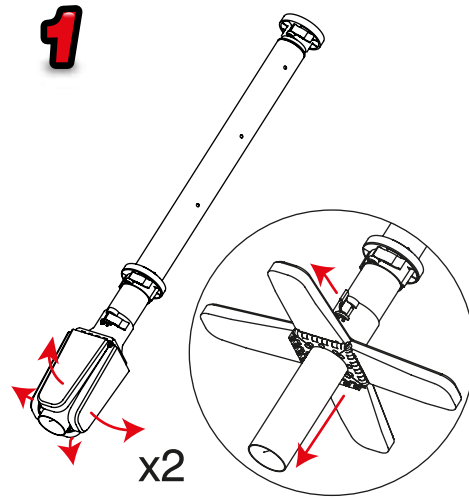


# Aero +

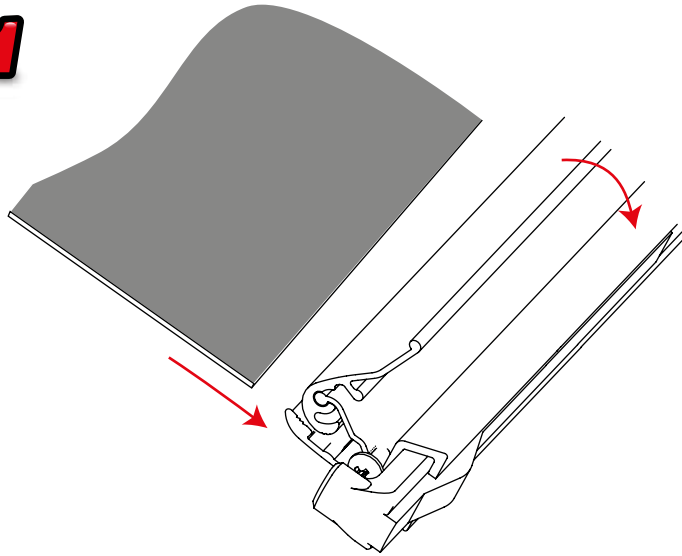


Aero +

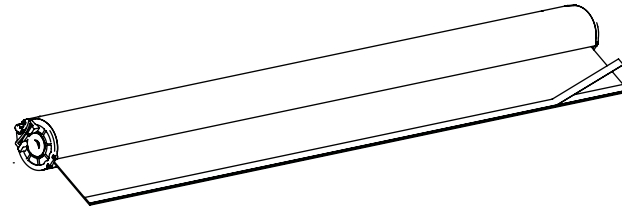
Installation

## Attaching Graphic

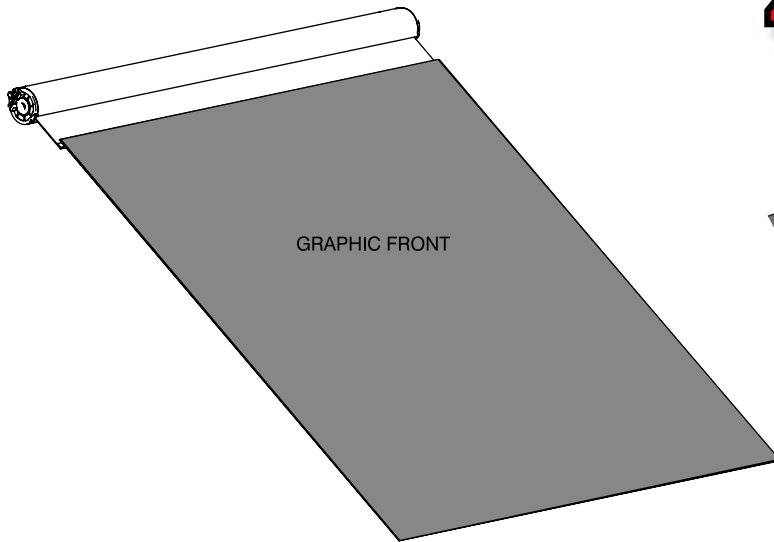
**1**



**2**



**3**



**4**

