



1. Stand Arena 12m<sup>2</sup>
2. Arena Free-standing

# Arena

If your visual communications project is about handling space and layout, the organisation of an event or communications activity, we have the solution: the solution is ARENA.

The Arena framework is a visually attractive structure made up of aluminium tubes. It is a modular solution which is extremely stable and highly scalable. The various sections can be assembled, re-configured and re-used according to the requirements of each event.



Aluminium structure

## Arena Structures

The 25mm aluminium tubes of the ARENA modular solution can be assembled and fixed together to create sections of various shapes and sizes in order to build the foundations of an imposing and solid stand structure.

A wide selection of tubular sections can be supplied to create a bespoke solution that meets your exact requirements.

### // Assembling Arena

Components are supplied including nine straight sections, to create the structure you need, based on the type of transportation you select.

Create tailor-made display solutions with Arena components



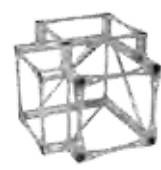
Corner swivel plate  
UT-SP01



45° Triangular foot  
UT-AF250



90° Angle Two-way corner  
UT-C21



Three-way corner  
UT-C30



250mm Hook over plate  
UT-HP250



Four-way T connector  
UT-C40



Three-way T connector  
UT-C35



250mm Foot  
UT-BS250



Four-way connector  
UT-C41



Five-way connector  
UT-C55



Six-way connector  
UT-C65



500mm Curved section  
UT-C500



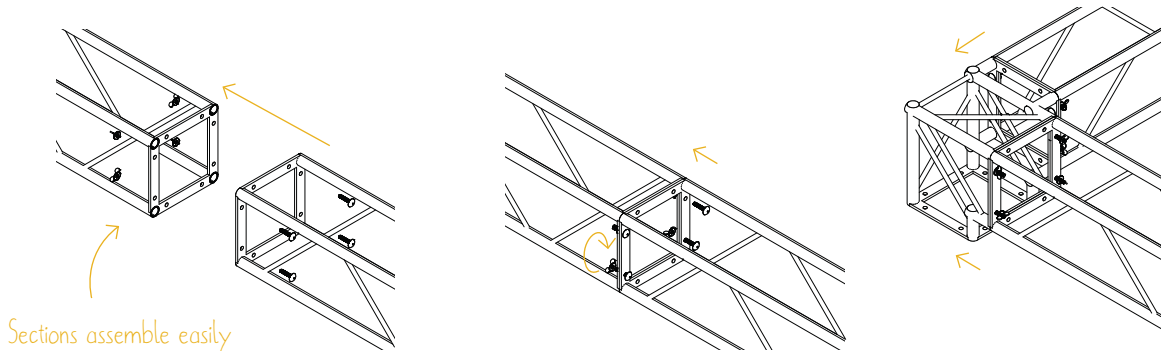
1000mm Curved section  
UT-C1000



- Section 250mm  
UT-S250
- Section 750mm  
UT-S750
- Section 1500mm  
UT-S1500
- Section 300mm  
UT-S300
- Section 1000mm  
UT-S1000
- Section 1750mm  
UT-S1750
- Section 500mm  
UT-S500
- Section 1250mm  
UT-S1250
- Section 2000mm  
UT-S2000

## Simple assembly without tools

The various sections can be put together using the screws and nuts supplied; so no additional tools are required for the assembly. The graphics (PVC or textile) are then secured using eyelets and bungee cords. Maximum visibility can be achieved by using six metre long spans that do not require any reinforcement. Tip: this also can be used as lighting structures.



Sections assemble easily

## // Arena Accessories

Gain functionality from an Arena stand by accessorising with screens, literature holders or shelves. You can also use the Arena structures as a light gantry by adding halogen spotlights.



LCD Screen bracket  $\leq 40$  kg  
UT-LCD3



LCD Screen bracket  $\leq 15$  kg  
UT-LCD1



Metal literature holders  
TT401  
- Ten storage compartments



Oval table  
TT400



Half table  
Shown as a pair, sold singularly  
TT400-2



Corner table  
TT400-1

Tables available in several colours: ● ○ ● ●