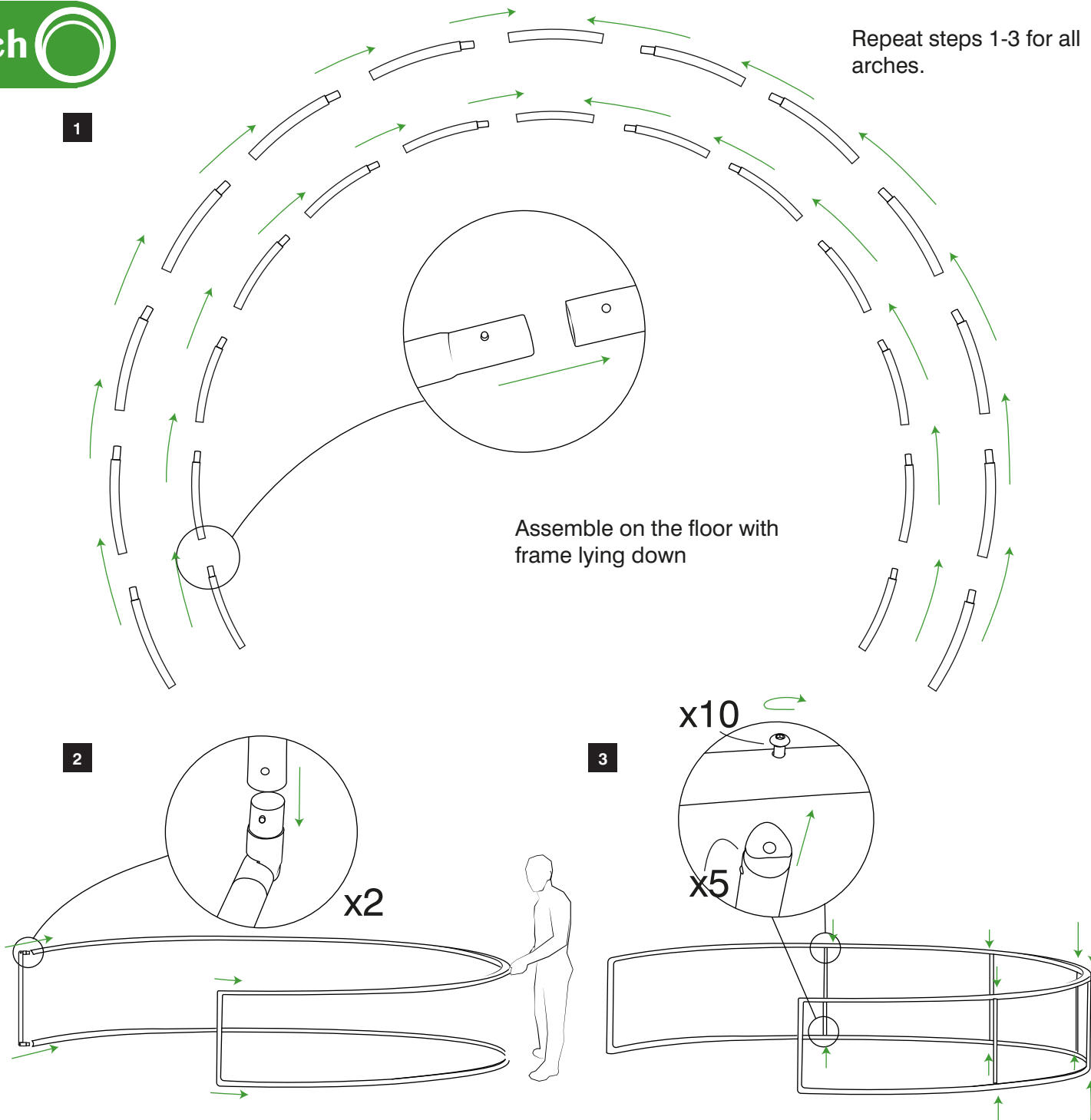
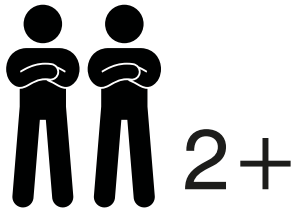
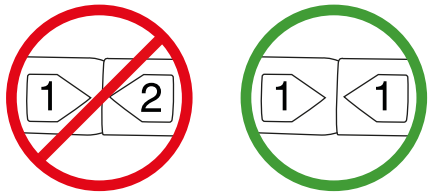
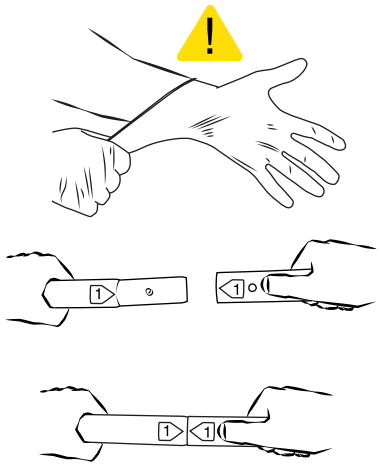


Formulate Triple Arch

Each arch (Middle arch has double connecting nodes and joining braces)

- x1
- x1
- x20
- x4
- x2
- x5
- x10



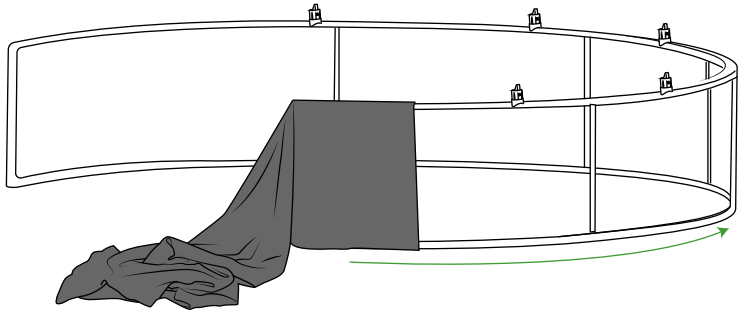
FORMULATE

Fabric Displays
Counters
Retail Displays
Exhibition & Hanging Displays

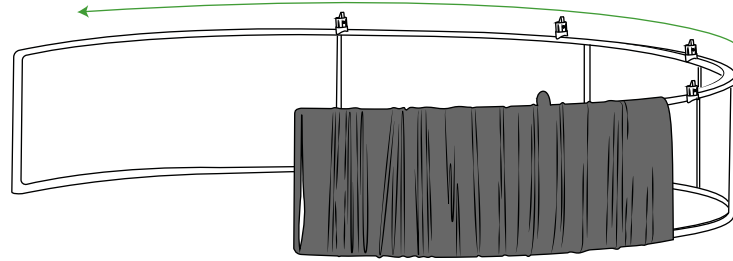
Attaching Graphic

Repeat steps 1-4 for all arches.

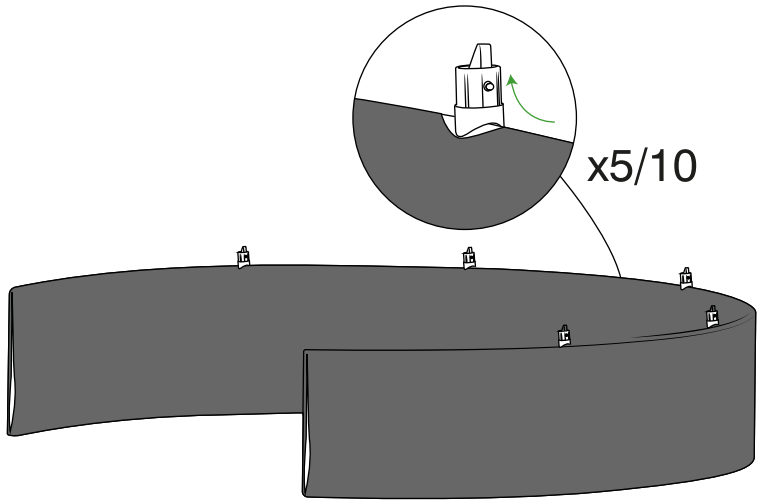
1



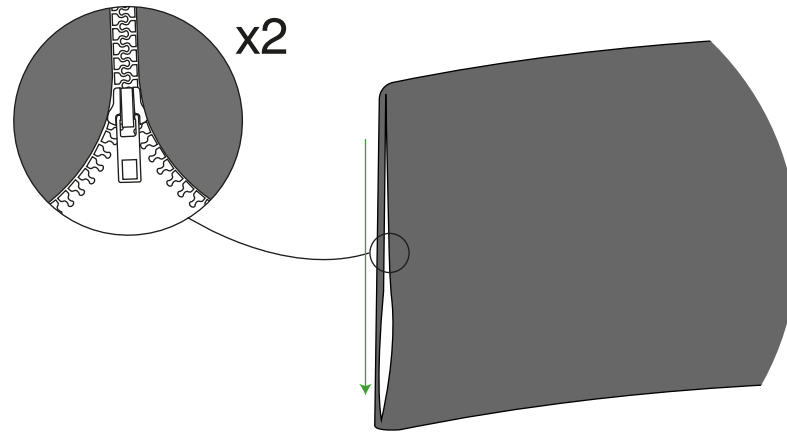
2



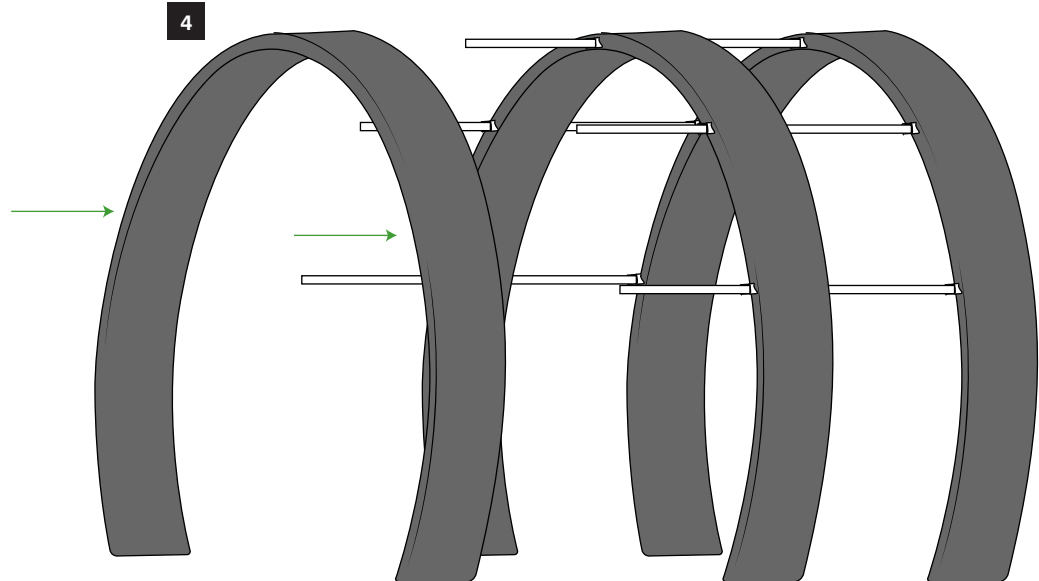
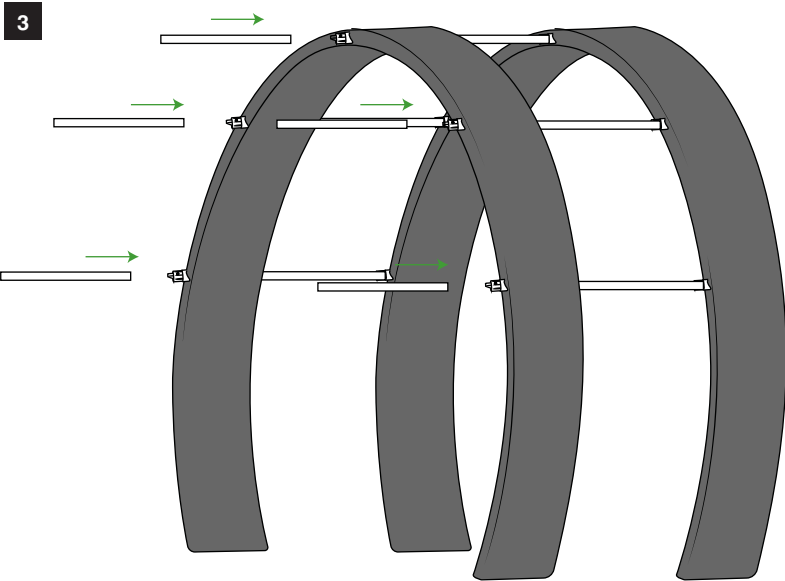
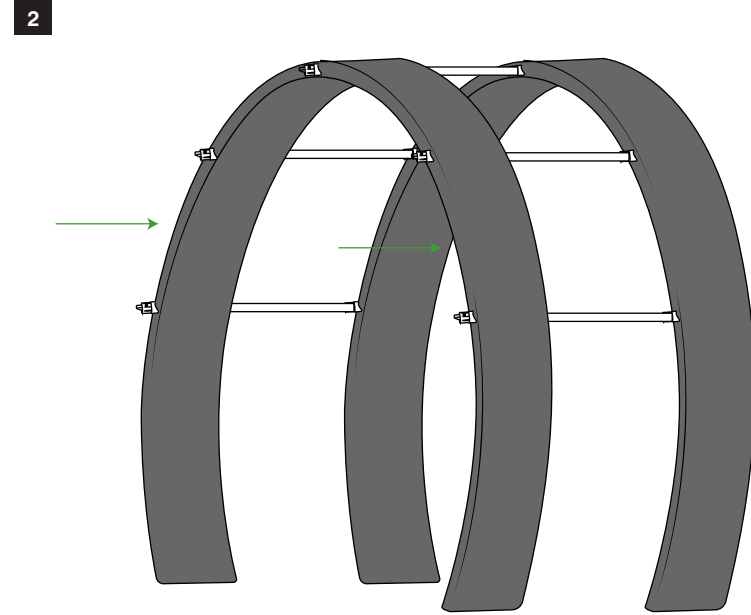
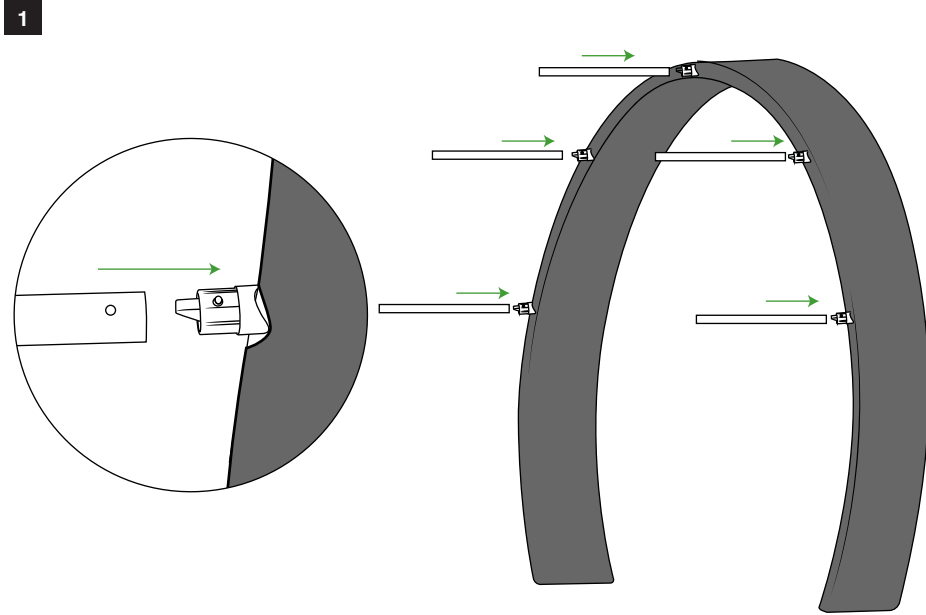
3



4



Joining Arches



FORMULATE

Fabric Displays
Counters
Retail Displays
Exhibition & Hanging Displays