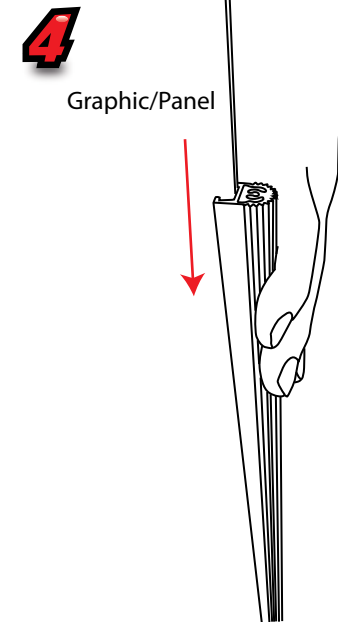
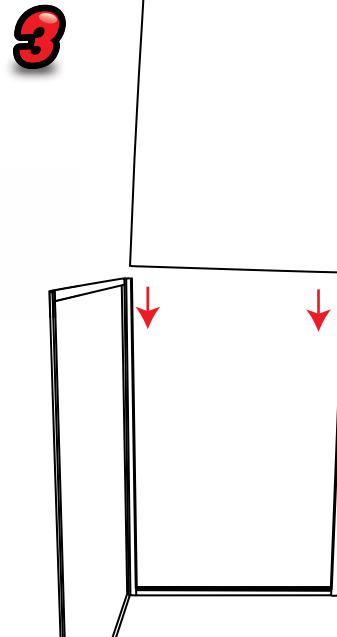
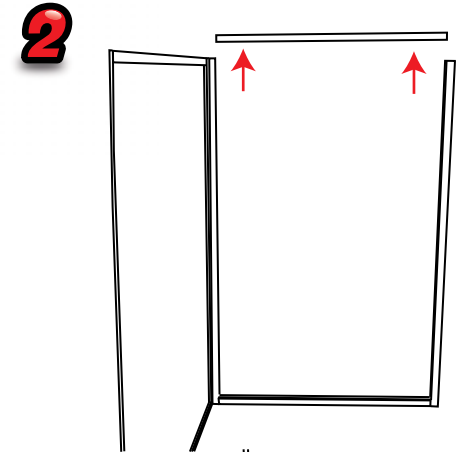
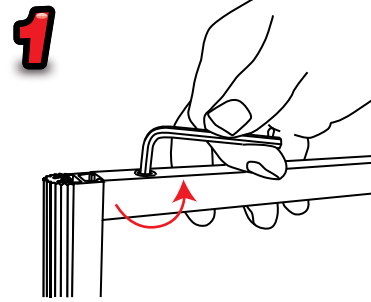
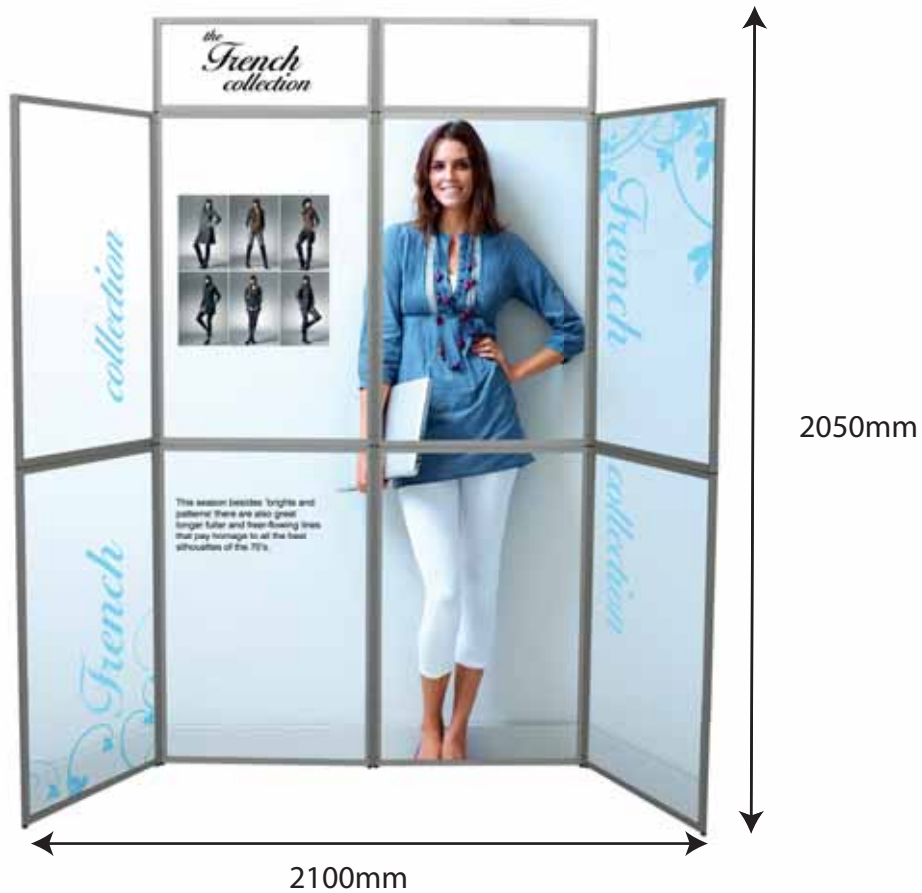


Gear Edge 8 Panel



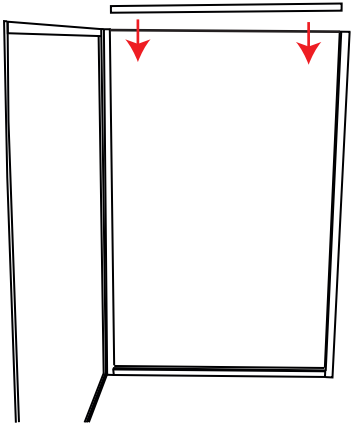
Infill panel size: 879 x 568mm
Visible panel size: 867 x 556mm
Header Panel
Infill panel size: 229 x 568mm
Visible panel size: 217 x 556mm
Max thickness: 6mm



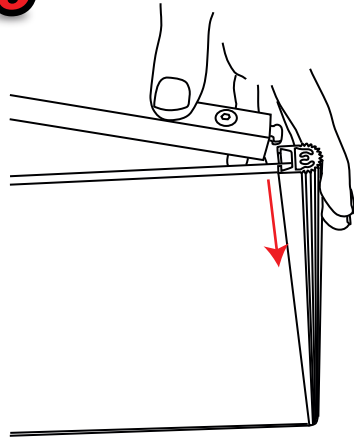
11.00kg with out infill
21.20kg with infill

Gear Edge 8 Panel

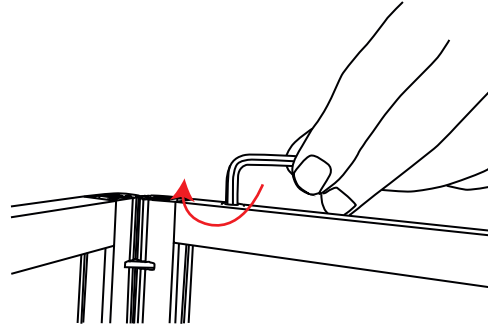
5



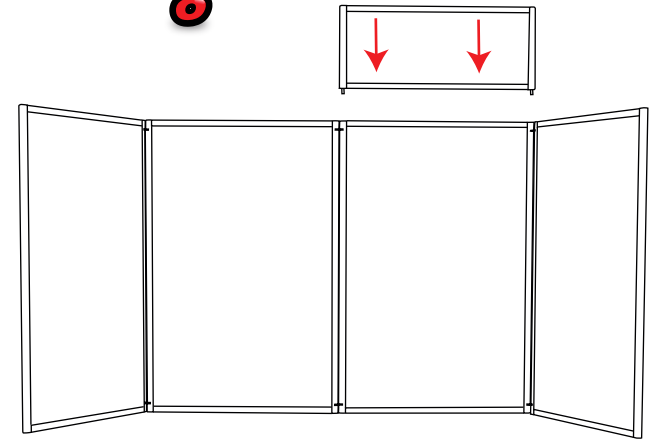
6



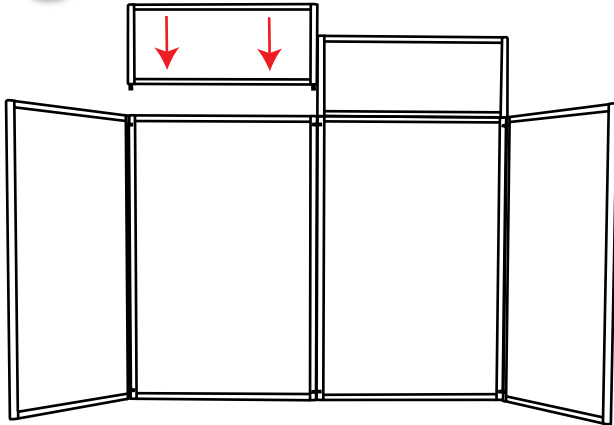
7



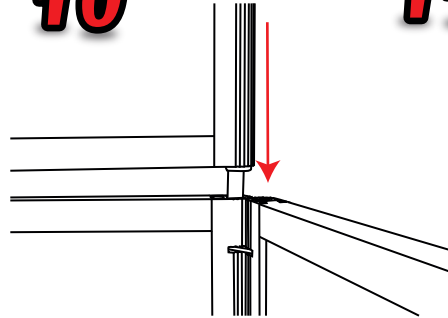
8



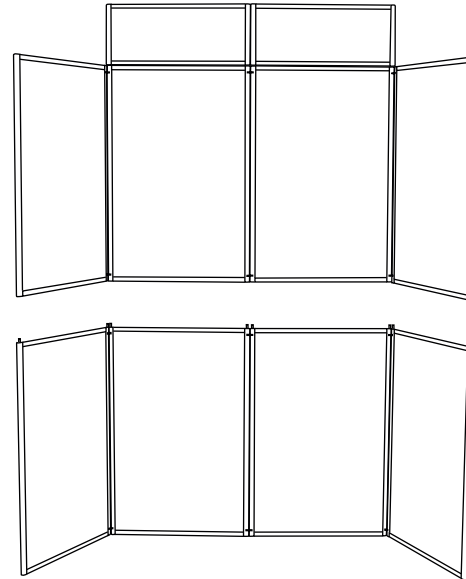
9



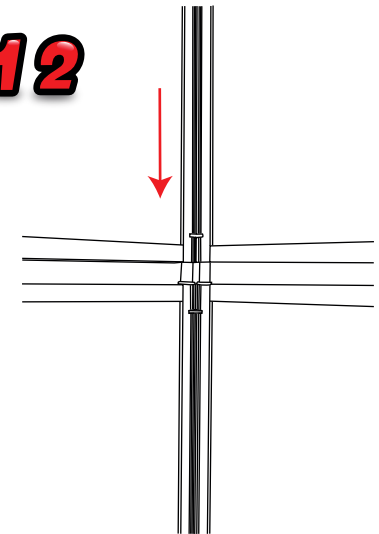
10



11



12



Included in your kit is a pack of 60 x 50mm soft hollow plastic packers which if required, can be inserted into the inner frame channel filling the void behind your graphic panel

Important- Please be careful not to place fingers near the gear edge mechanism

Gear Edge 8 Panel

Installation