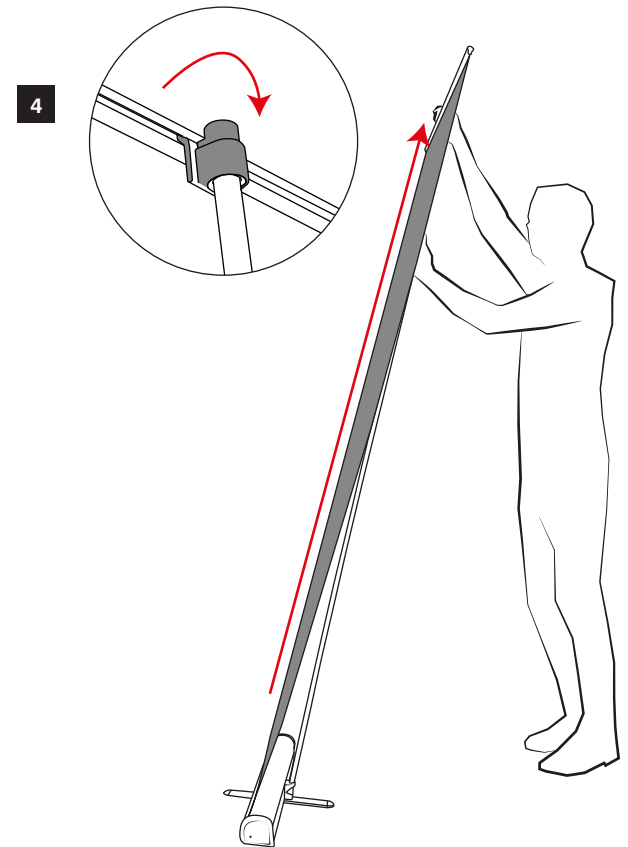
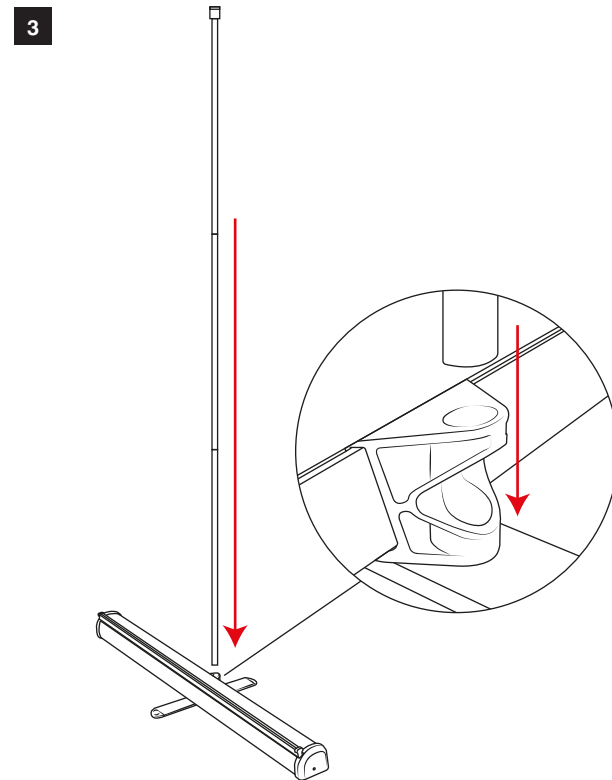
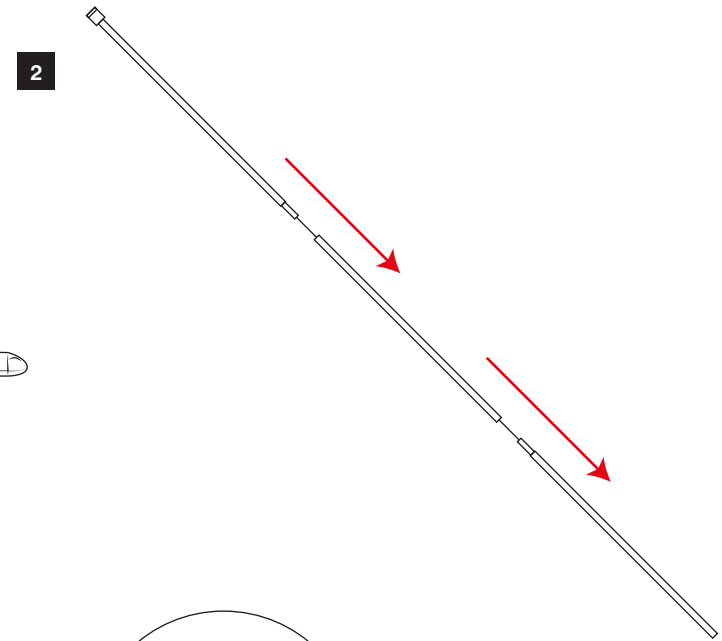
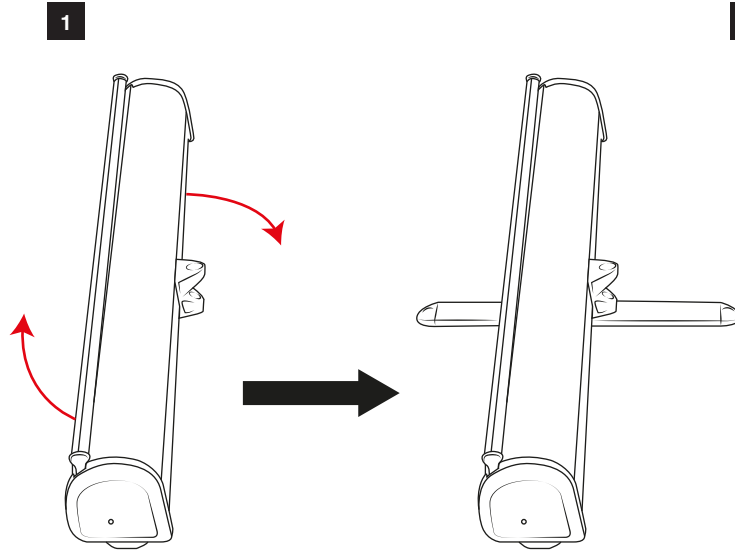
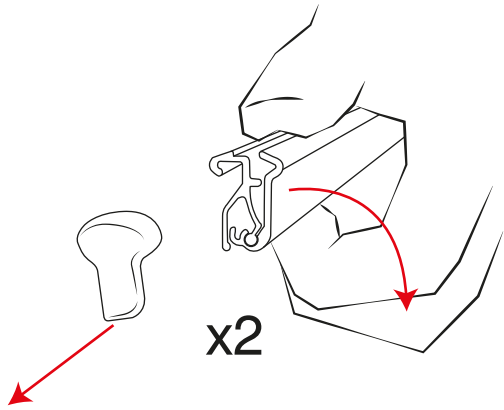


# Solo

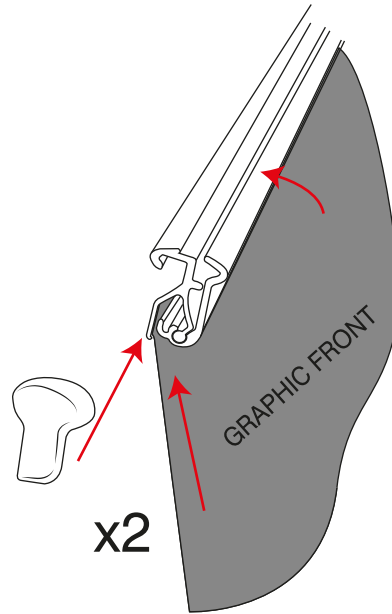


# Attaching Graphic

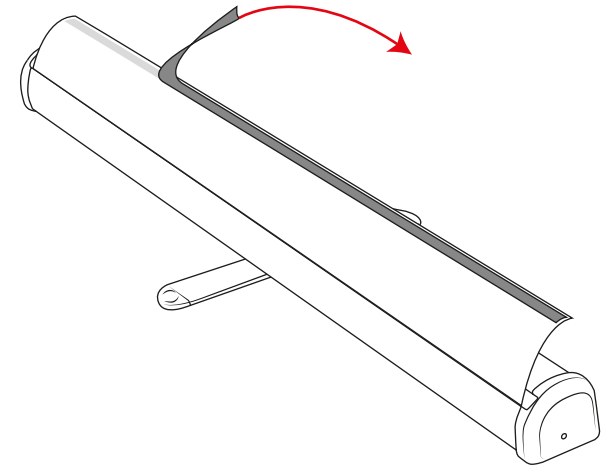
1



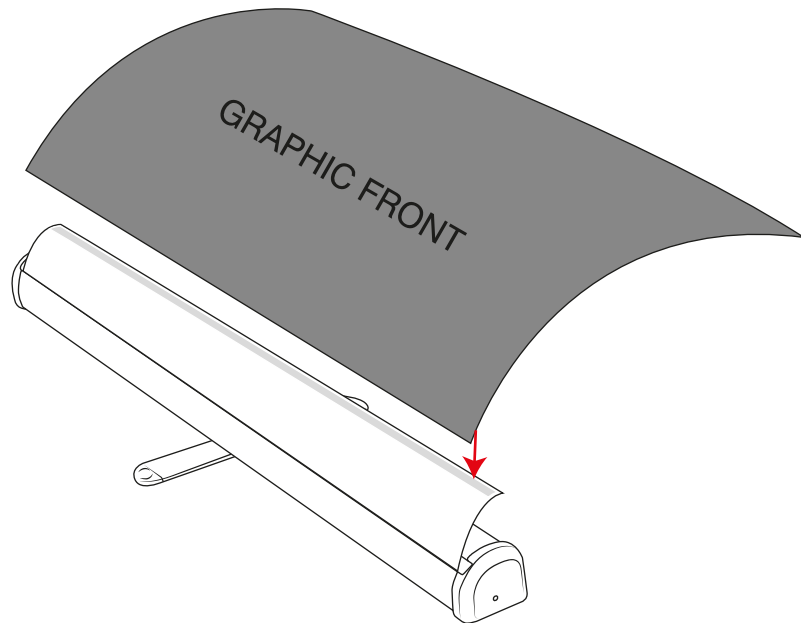
2



3



4



5

