

Totem Vector Media 1600 x 600 mm

June 2020



VF-MEDIA-16X06
(H)1610x(W)600x(D)280mm



PARTS (NOT TO SCALE)

Upper section (x1)



Vertical section (x4)



Bottom section with perforations (x1)



Fiberglass reinforcement pole (x1)



Tool-less connector 90°



Tool-less connector 180°



Steel foot base (x1)



Tool-less Screws (x2)



Adhesive magnetic roll (x1)

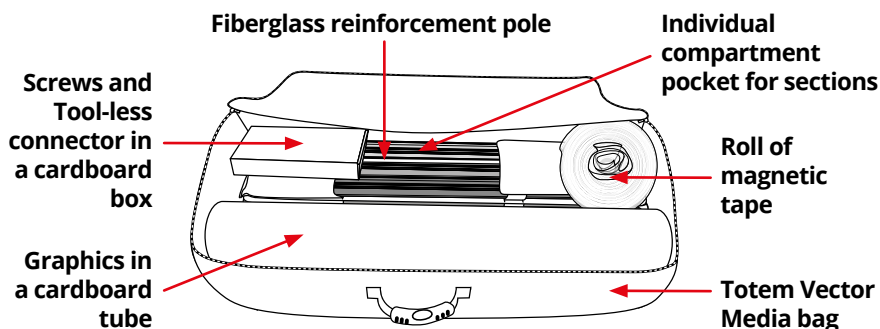


Cardboard tube (x1)

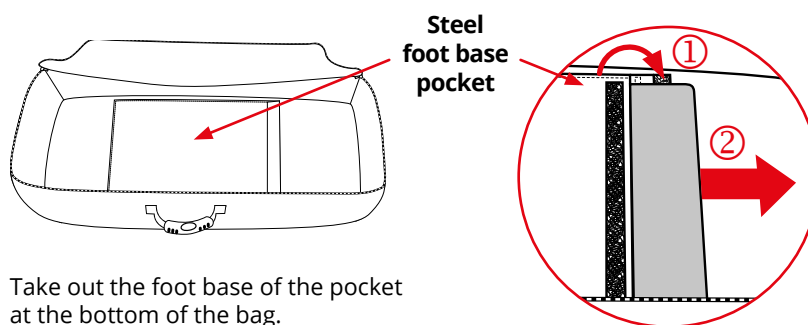


1

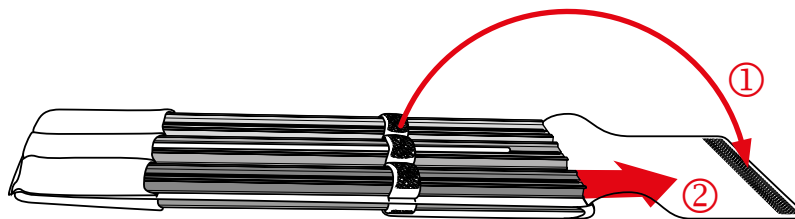
OPEN THE BAG AND TAKE OUT THE ELEMENTS



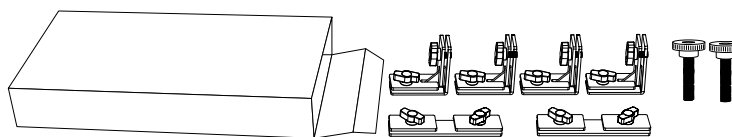
Remove the individual compartment pocket for sections, cardboard box, roll of magnetic tape and cardboard tube from the bag.



Take out the foot base of the pocket at the bottom of the bag.



Take the fiberglass reinforcement pole and the sections out of their individual compartment pocket.



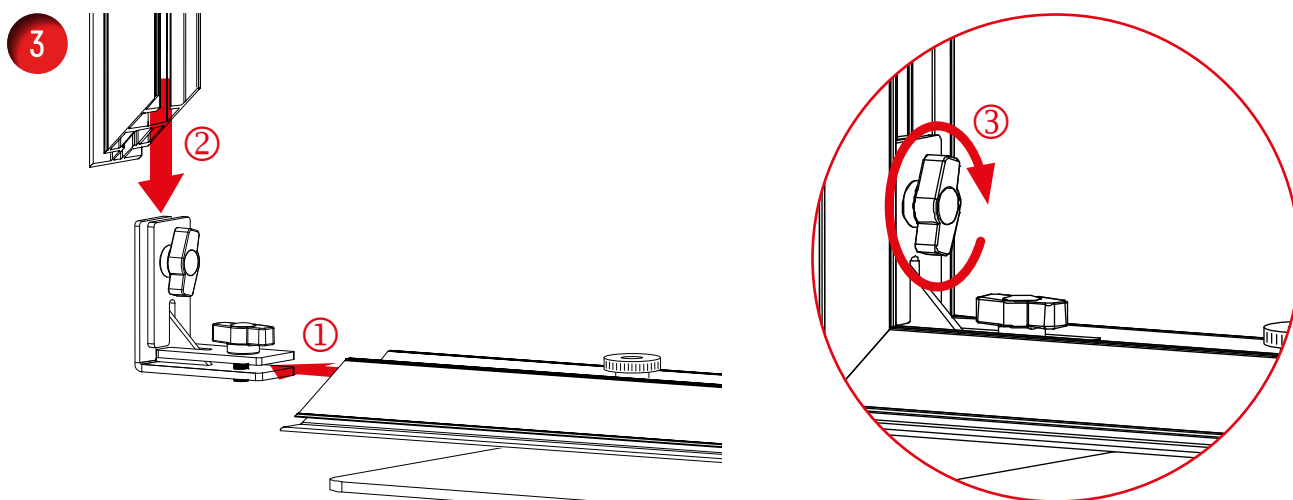
Take the connectors and the screws out of the cardboard box.



SET UP THE STRUCTURE



Attach the perforated bottom section to the base using the two Tool-less screws.



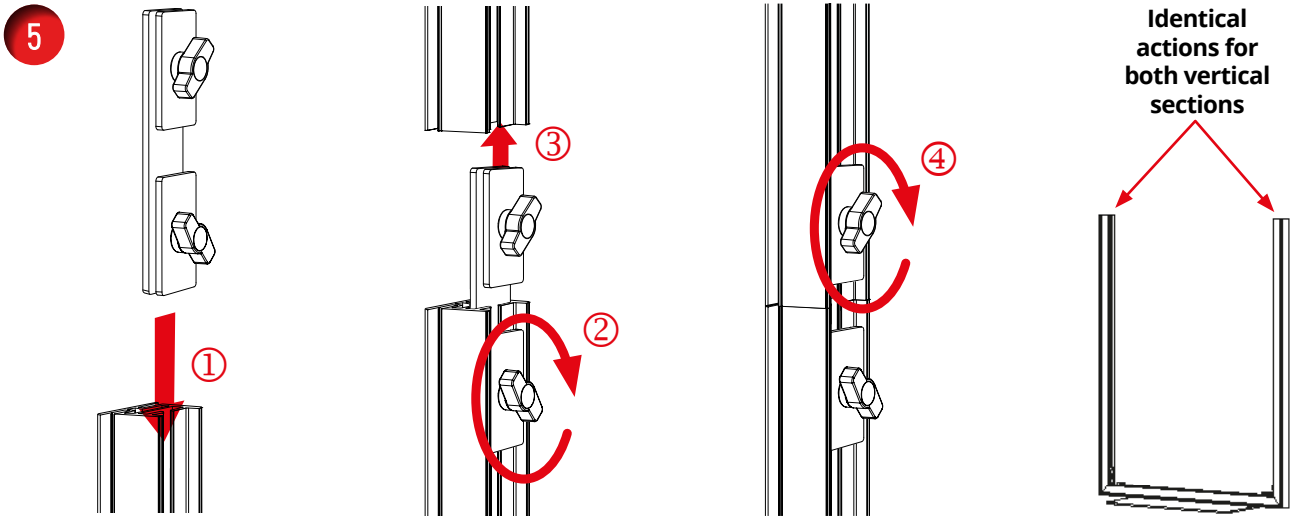
Connect the bottom section with a vertical section using a Tool-Less 90° connector.



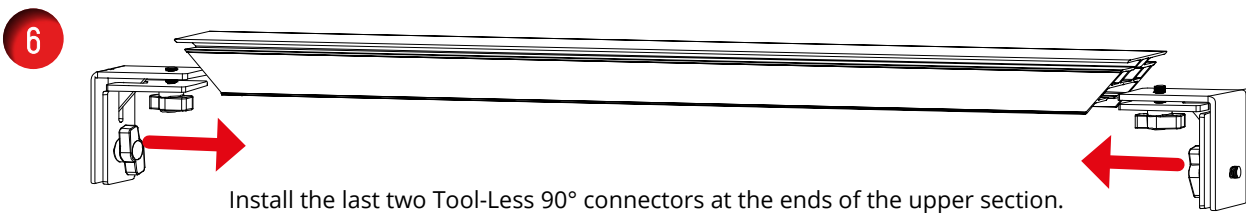
Connect the bottom section with a second vertical section using a 90° Tool-Less connector.

Totem Vector Media 1600 x 600 mm

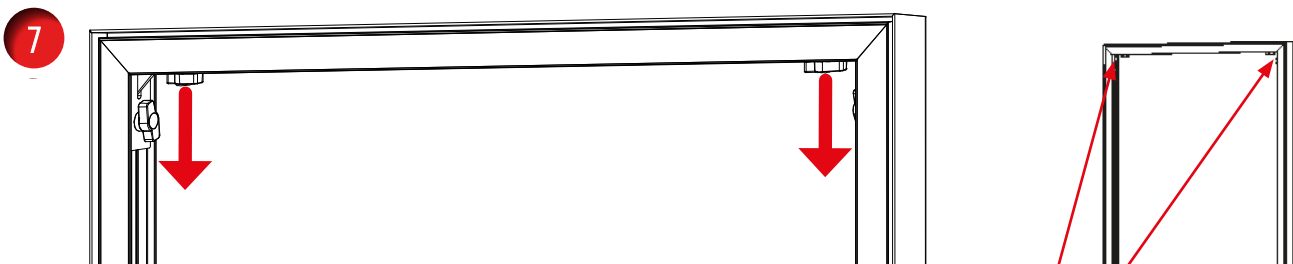
June 2020



Connect two vertical sections using the Tool-Less 180° connectors (one half for each section).



Install the last two Tool-Less 90° connectors at the ends of the upper section.

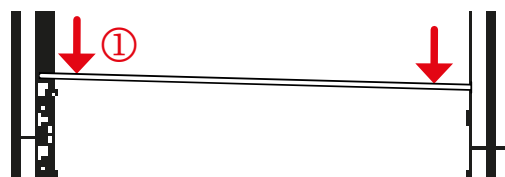


Connect the ends of the Tool-Less 90° connectors to those of the vertical sections.

8 TIGHTEN ALL CONNECTION POINTS

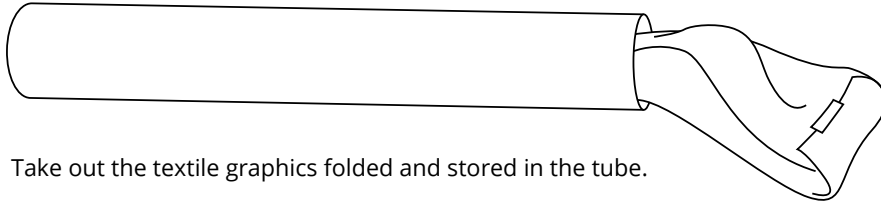
Butterfly screws
of connectors

9 INSERT THE FIBERGLASS REINFORCEMENT POLE INSIDE SECTIONS





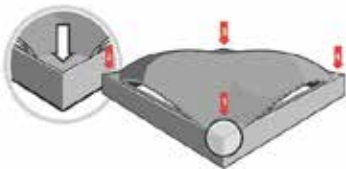
10 IF YOU INSTALL A SEG GRAPHIC



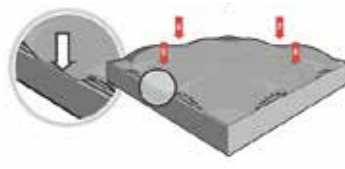
Take out the textile graphics folded and stored in the tube.

The pouch containing the graphic can be supplied outside the tube.

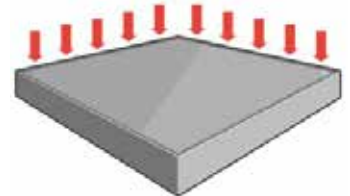
- ① Insert the four corners of the graphic into the frame.



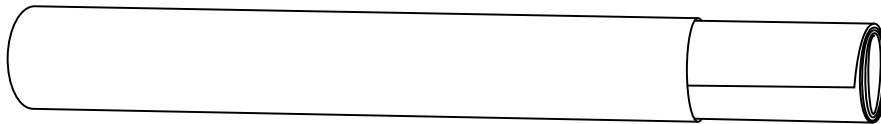
- ② Insert the middle of each side of the graphic into the frame.



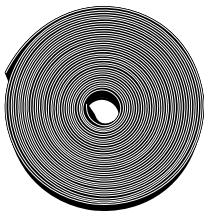
- ③ Press the SEG into the frame, working outwards towards the corners.



11 IF YOU INSTALL A PVC GRAPHIC



Take out the PVC graphics from the tube. Then unroll it flat.



If necessary, stick the strips of magnetic tape on the back and on the edge of the graphic:

- ① Provide 2 strips of 595mm for the short edges (width) and 2 strips of 1545mm for the long edges (height).
- ② Apply to the short edges over the whole width and then the long edges.
- ③ Take the graphic from the top and position each corner to make the magnetic surfaces adhere to the steel of the frame.

