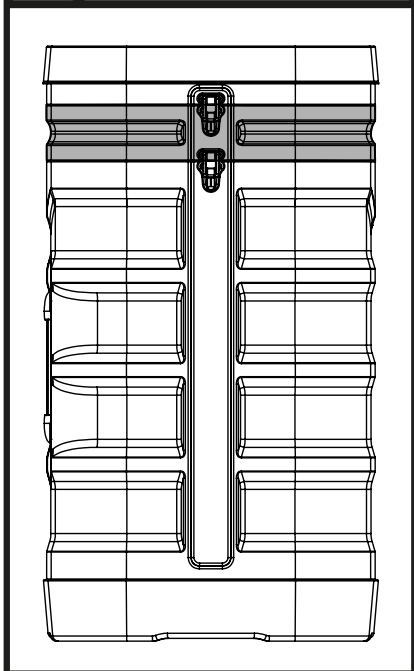




## ATTACHING THE EXTENSION SECTION



 **PARTS (NOT TO SCALE)**



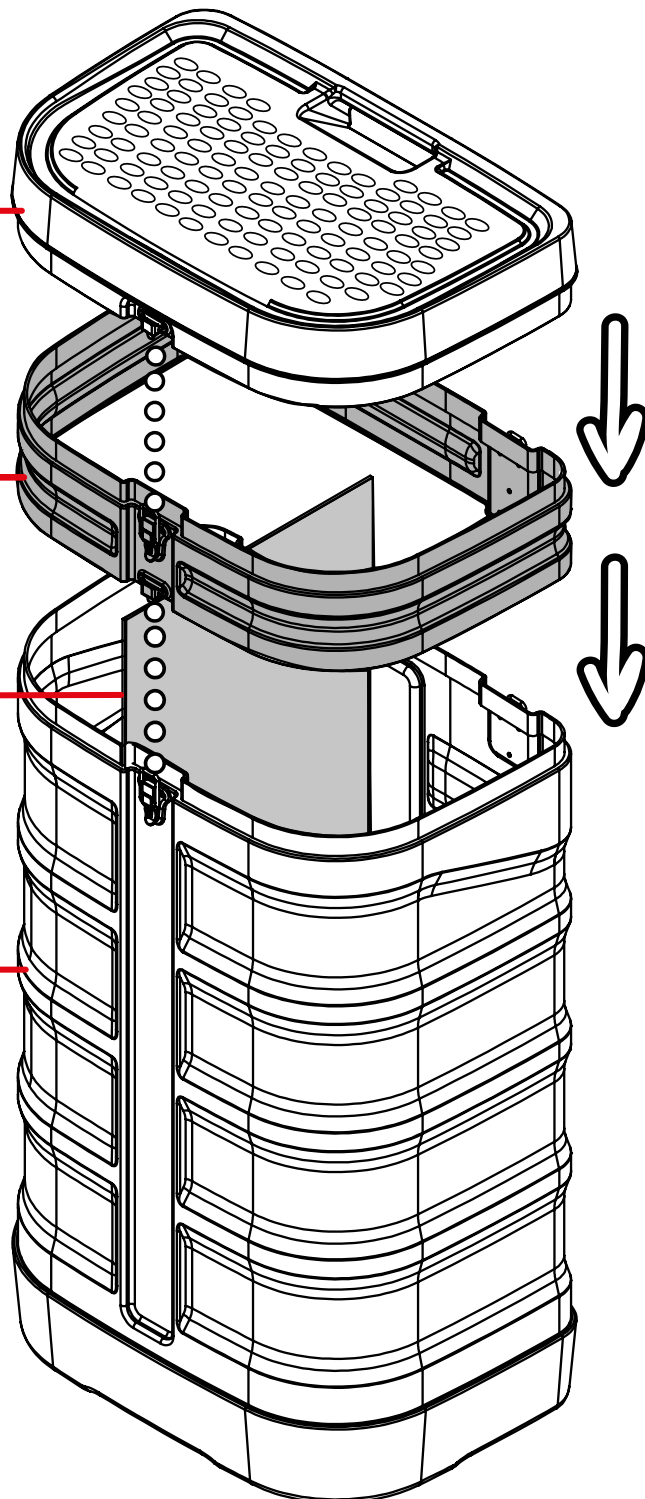
1

**Lid**

**Extension Section**

**Divider**

**Case**





## BACK OF CASE

