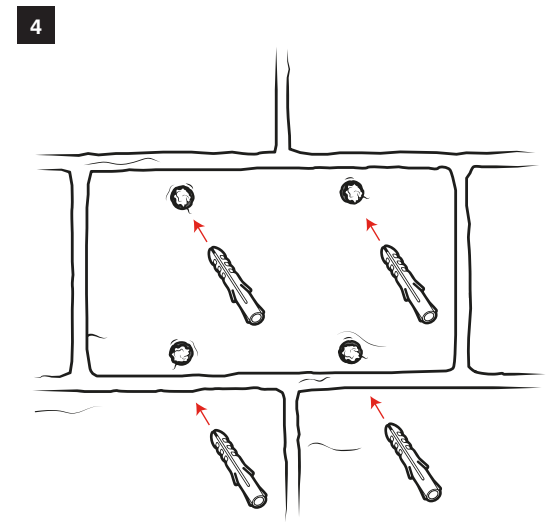
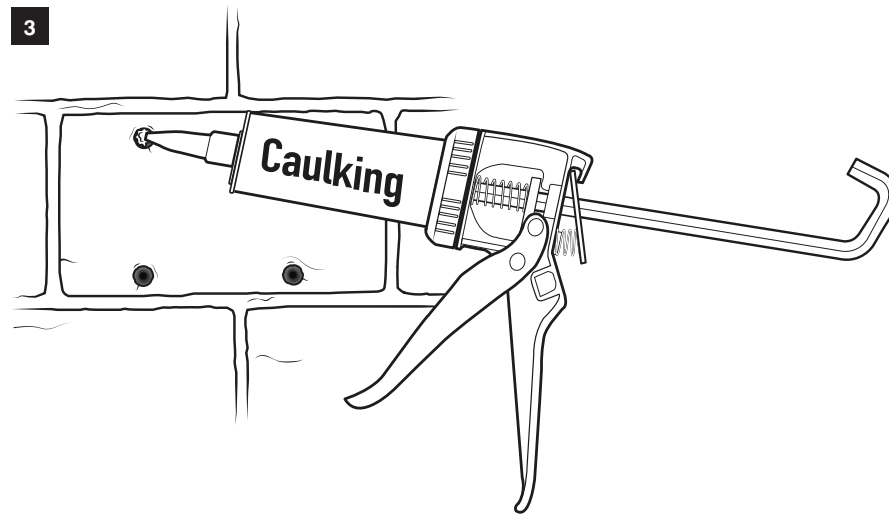
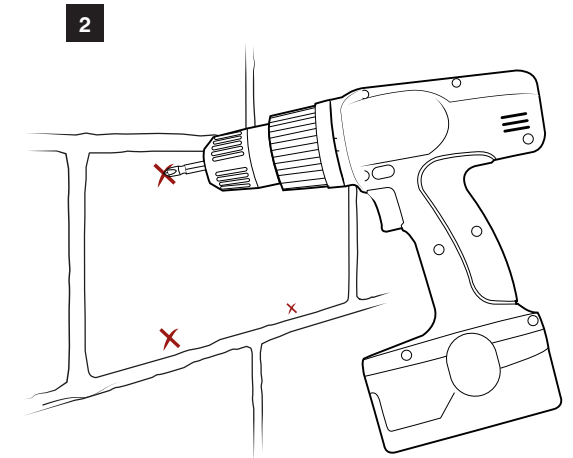
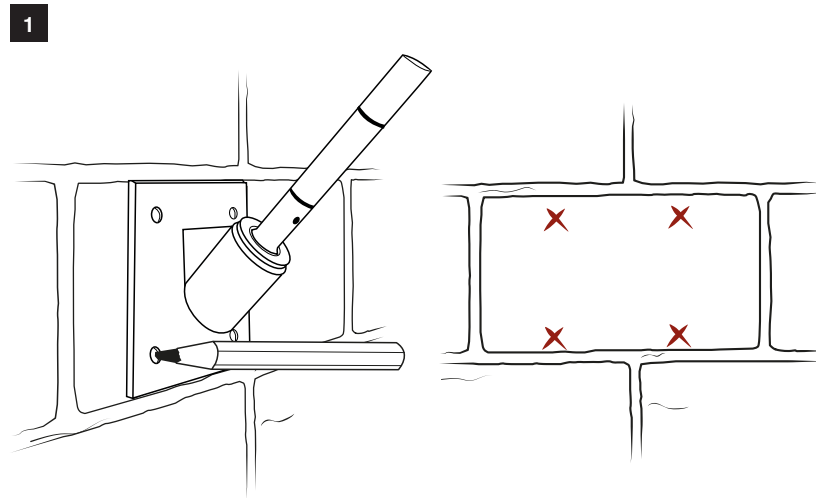


Zoom Flag Wall Bracket

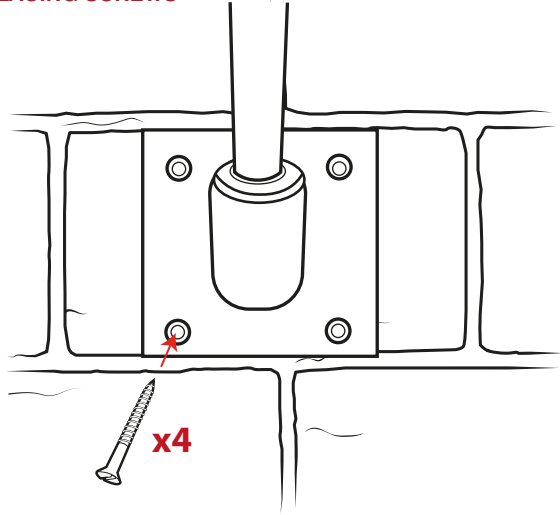


For wood - screws can be inserted as is

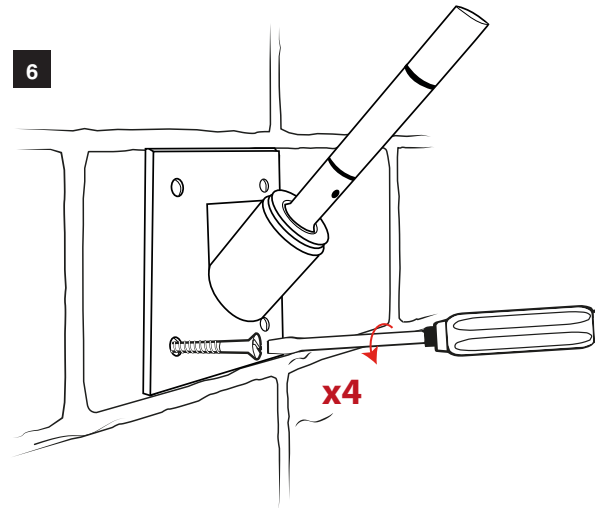
For brick - place a bit of caulking and wall plugs into holes before inserting screws

Zoom Flag Wall Bracket

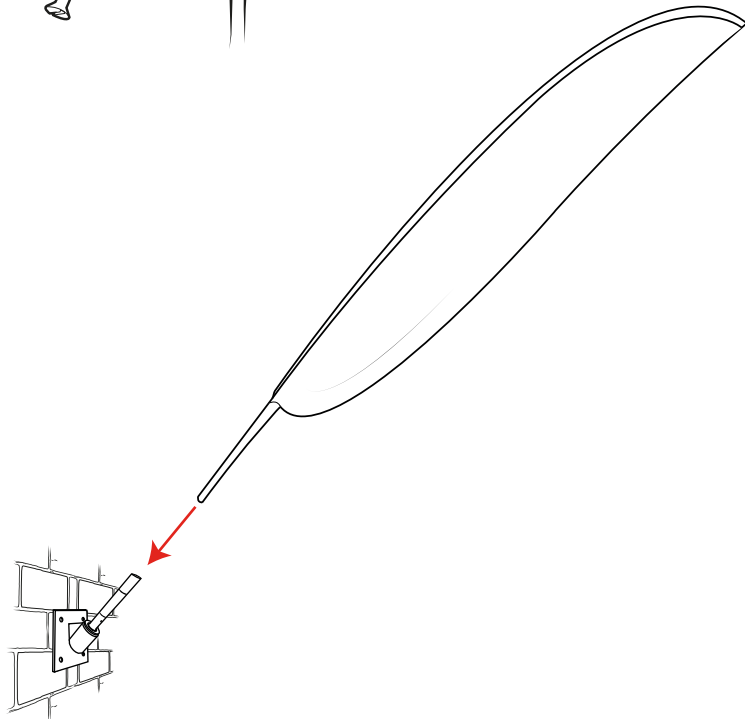
5 ENSURE CAULKING/PLUGS ARE FIRMLY SET BEFORE PLACING SCREWS



6



7



8

